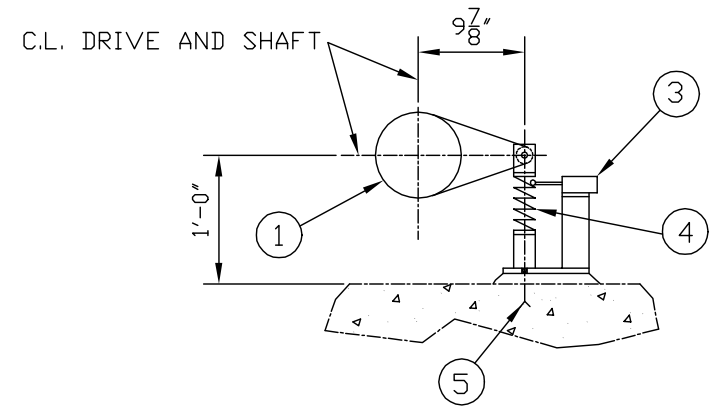


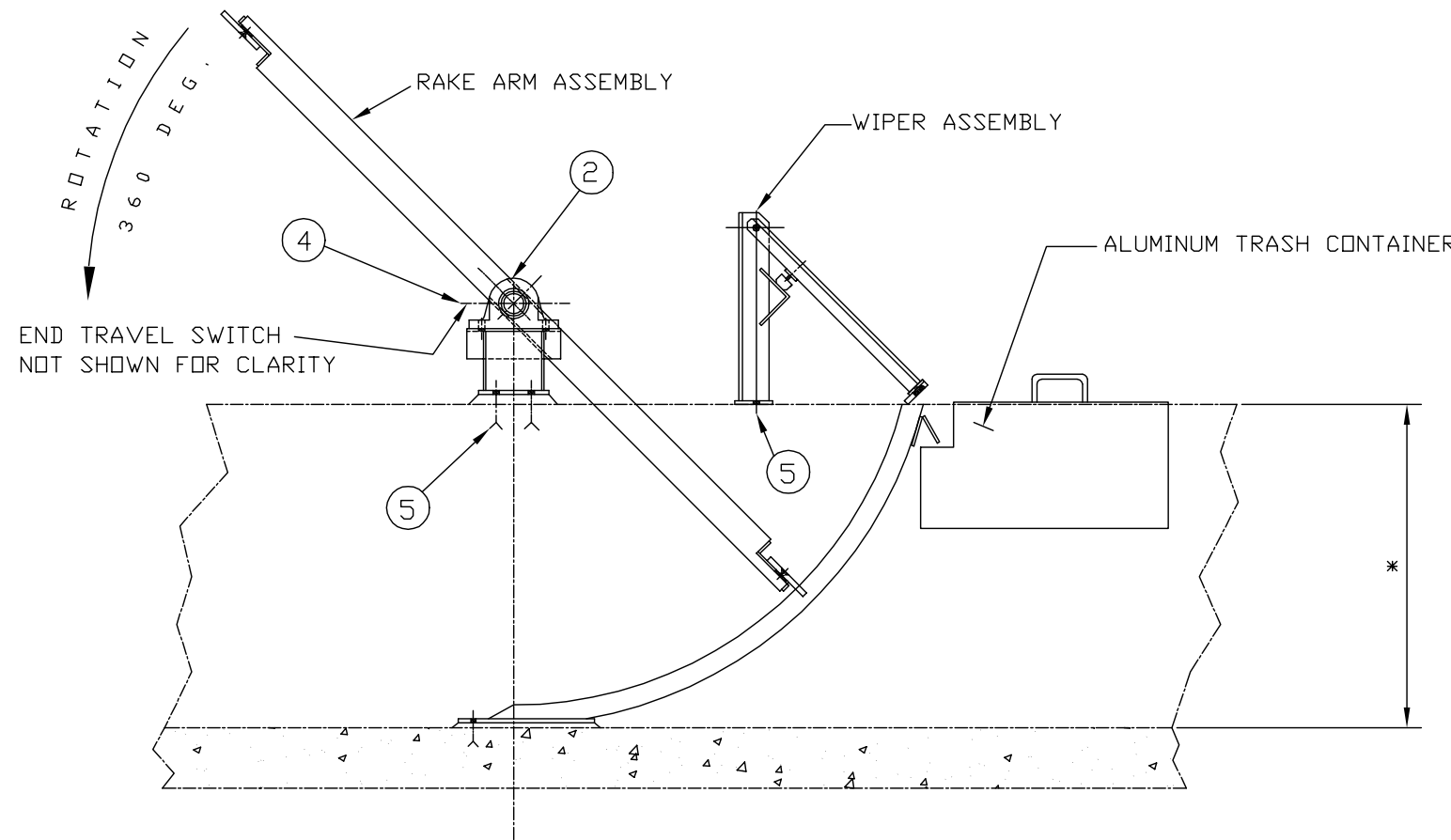
REV. #	DESCRIPTION	DATE	BY
X	X	X	X

DESCRIPTION OF EQUIPMENT

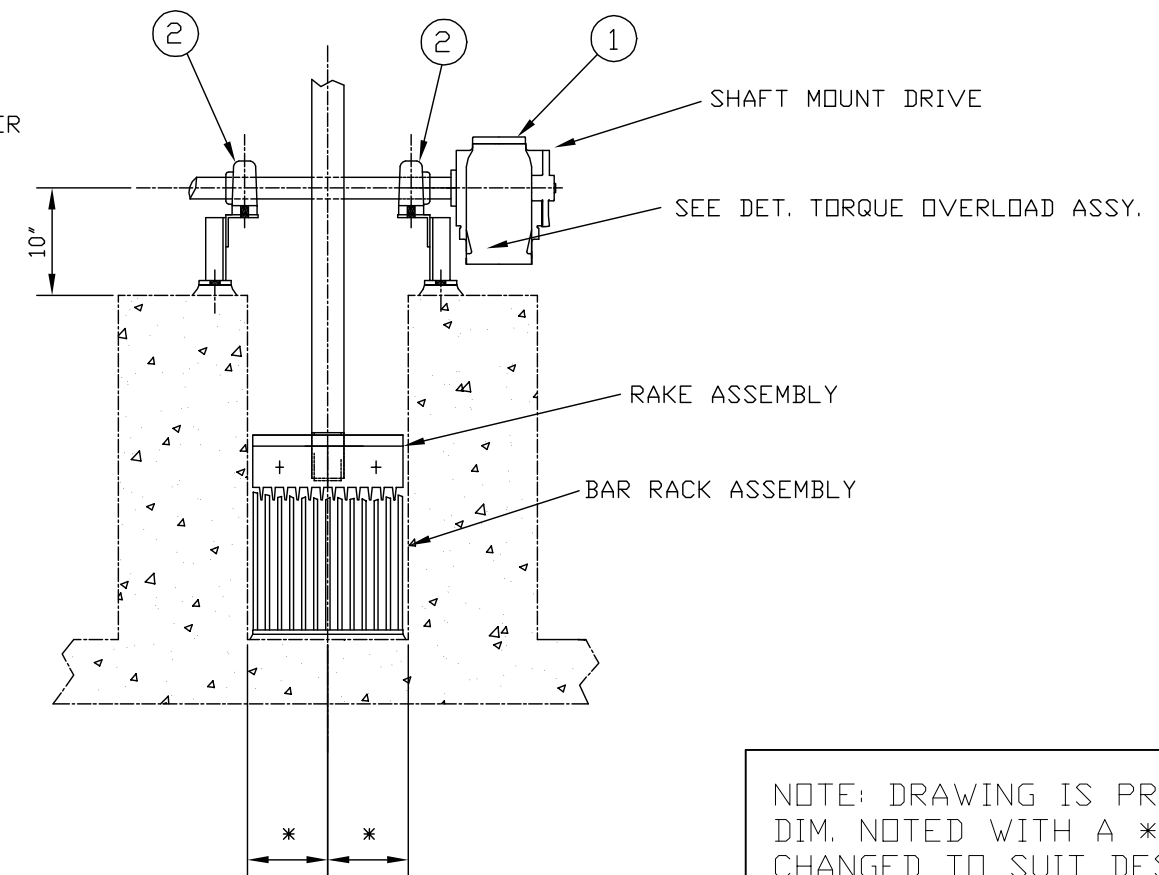
- ① DRIVE UNIT - * H.P.
TEFC 230/460 VOLT
3 PH- 60 HZ
- ② PILLOW BLOCK BEARINGS
- ③ LIMIT SWITCHES
- ④ SPRING
- ⑤ ANCHOR BOLTS



TORQUE OVERLOAD DETAIL



ELEVATION VIEW



SECTION VIEW - A-A

NOTE: DRAWING IS PRELIMINARY.
DIM. NOTED WITH A * CAN BE
CHANGED TO SUIT DESIGN
REQUIREMENTS.

PRODUCT CODE 1109

		E & I CORPORATION A Division of McNish Corporation COLUMBUS, OHIO 43229	
EQUIPMENT		ARC SCREEN	
CUSTOMER		X	
SCALE	DRAWN BY	DATE	CHECKED BY
X	T. SMITH	11-12-02	G. FOX
DRAWING NO.			40809

THIS DOCUMENT AND DRAWINGS, SPECIFICATIONS AND OTHER INFORMATION SET FORTH THEREON ARE THE EXCLUSIVE PROPERTY OF E & I CORP., AND DUPLICATION OR USE OF SUCH DATA BY OTHERS IS PROHIBITED. THE MERE FACT THAT THIS DOCUMENT MIGHT BE SUBMITTED TO OTHERS FOR WHATEVER PURPOSE, OR IS REQUIRED TO BE FILED OF PUBLIC RECORD, SHALL NOT BE A WAIVER OF COMPLETE AND EXCLUSIVE OWNERSHIP BY E & I CORP.