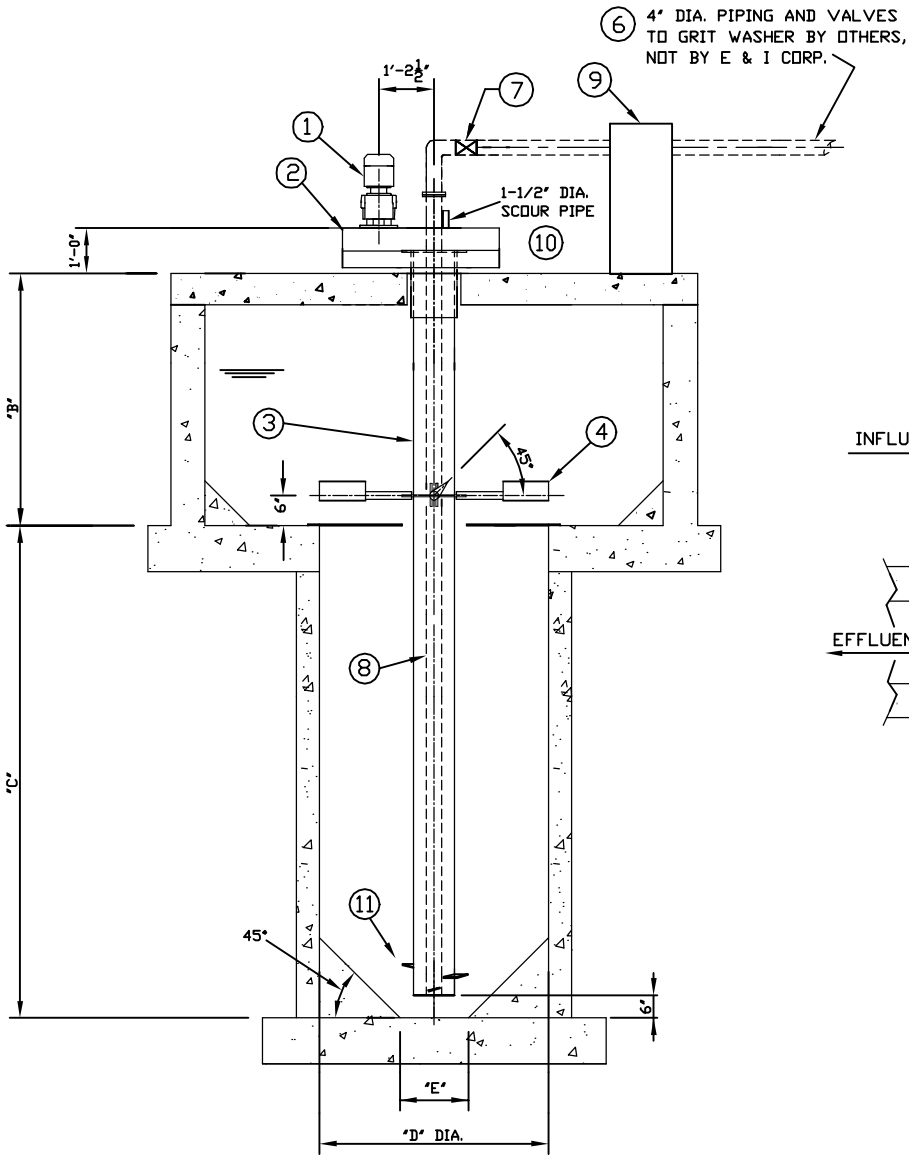
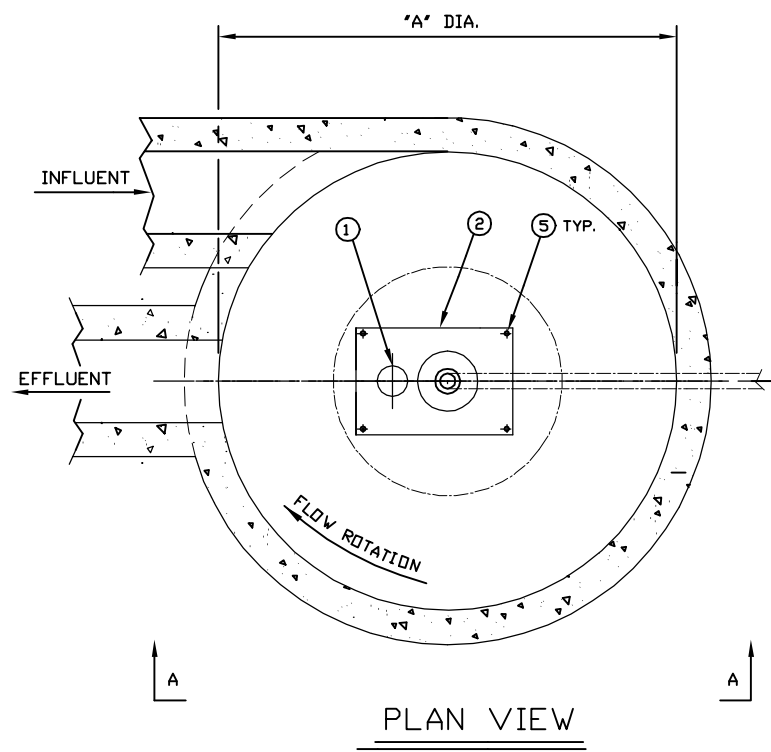


REV. #	DESCRIPTION	DATE	BY
X		X	X



SECTION A-A



PLAN VIEW

DESCRIPTION OF EQUIPMENT

- ① DRIVE UNIT - * H.P. TEFC 230/460 V-3PH-60HZ VARIABLE SPEED
- ② DRIVE BASE
- ③ TORQUE TUBE
- ④ IMPELLER- ADJUSTABLE
- ⑤ ANCHORS 304 STAINLESS STEEL
- ⑥ DISCHARGE PIPE (BY OTHERS)
- ⑦ GATE VALVE (BY OTHERS)
- ⑧ 4" DIA. PUMP LIFT PIPE
- ⑨ PUMP (BY OTHERS)
- ⑩ 1'-1/2" DIA SCOUR PIPE
- ⑪ FLUIDIZER

THIS DOCUMENT AND DRAWINGS, SPECIFICATIONS AND OTHER INFORMATION SET FORTH THEREON ARE THE EXCLUSIVE PROPERTY OF E & I CORP., AND DUPLICATION OR USE OF SUCH DATA BY OTHERS IS PROHIBITED. THE INDENT FACT THAT THIS DOCUMENT MIGHT BE SUBMITTED TO OTHERS FOR WHATEVER PURPOSE, OR IS REQUIRED TO BE FILED OF PUBLIC RECORD, SHALL NOT BE A WAIVER OF COMPLETE AND EXCLUSIVE OWNERSHIP BY E & I CORP.

		E & I CORPORATION	
		A Division of McAlister Corporation Columbus, Ohio 43229	
EQUIPMENT		SWIRL GRIT COLLECTOR W/ PUMP & FLUIDIZER	
CUSTOMER		X	
SCALE	DRAWN BY	DATE	CHECKED BY
NTS	X	X	X
		DATE	DRAWING NO.
		X	40834